

tayco.
work well.™



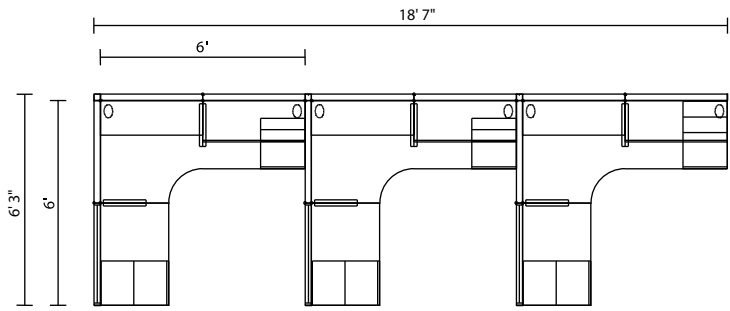
V.E.S.
value engineered system

Less is more. V.E.S. is more.

Office furniture that helps your business do more – more productivity, more employee efficiency and more employee satisfaction. All while costing less. V.E.S. delivers on all fronts. V.E.S. promises to be the most cost effective systems furniture in its class.



Your workspace beyond borders.

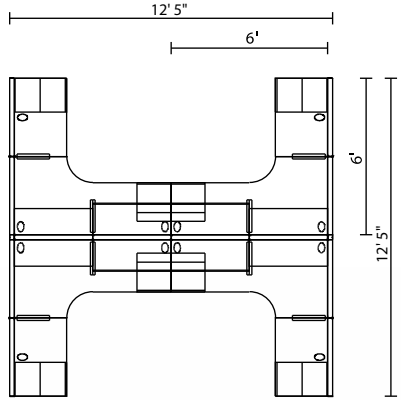


Tayco Coast chair.

Less down time. More work time.

With a simplified specification process and reduced installation down time, you can get organized and back to work – faster.

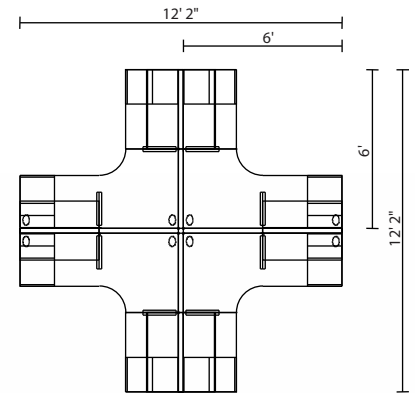




Unitized Worksurface.
Aesthetically pleasing, ergonomically sound and environmentally friendly. A unitized worksurface provides comfort and a generous amount of working space with fewer components to install and

The realist. Enough said.

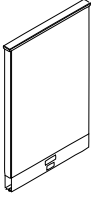
The cost effective system that delivers what a business needs – increased productivity and satisfaction. V.E.S. seamlessly integrates into any work environment and complements any corporate culture.



V.E.S. An overview.

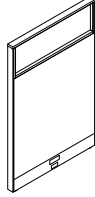
Panel frames and Connectors

fabric panel



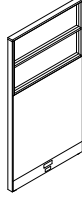
h = 42" - 66"
w = 24" - 72"

glazed panel



h = 54", 66"
w = 24" - 60"

strata panel



h = 54", 66"
w = 24" - 60"

wall connector
fixed



h = 42" - 66"

type 1
adjustment
range 0" - 3"



h = 42" - 66"

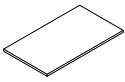
type 2
adjustment
range 3" - 6"



h = 42" - 66"

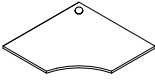
Worksurfaces and Supports

straight
worksurface



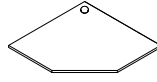
w = 24" - 96"
d = 24" - 30"

5 sided corner
worksurface with
curved front



w = 36" - 48"
d = 24", 30"

5 sided corner
worksurface with
straight front



w = 36" - 48"
d = 24", 30"

unitized surface
with curved front



w = 54" - 96"
d = 24"

gable



d = 12" - 30"

cantilever arm
intermediate



d = 16", 22"

right hand



d = 16", 22"

left hand



d = 16", 22"






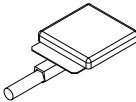
horizontal
surface support




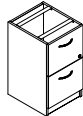
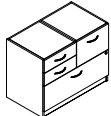
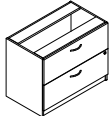
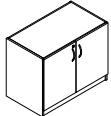
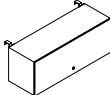
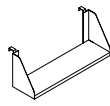
w = 54" - 78"



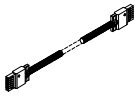
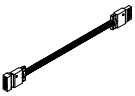
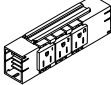
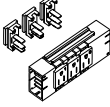
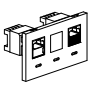



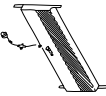
Panel Fillers and End Posts

end post	fillers 90°, partial	90°, full	t, partial	t, full	top cap
					
h = 6" - 66"	h = 6" - 24"	h = 42" - 66"	h = 6" - 24"	h = 42" - 66"	


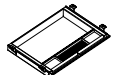
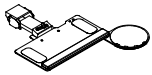
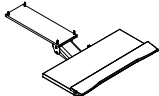
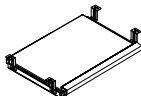
Storage

underdesk pedestal box/box/file	file/file	underdesk joined lateral file	underdesk lateral file	underdesk storage cabinet	panel hung flipper cabinet	panel hung open metal shelf
						
w = 16" d = 18", 24"	w = 16" d = 18", 24"	w = 36" d = 21"	w = 30" - 42" d = 21"	w = 30" - 36" d = 21"	w = 30" - 60" d = 14"	w = 30" - 60" d = 12"

Electrics, Communication and Lighting

connector harness	male/female extension	power module single sided	double sided	communications module RJ11/45	electric starter single sided box	double sided box	wire management power pole	lighting task light
								
l = 17" - 260"	l = 120"				l = 72", 168"	l = 72", 168"	h = 72", 144"	w = 24", 36", 48"

Accessories

monitor arm	pencil drawer	articulating keyboard tray with mouse	articulating laminated keyboard tray	retractable laminated keyboard tray
				

V.E.S. integrates, facilitates, elevates.



- 1 Panel hung flipper cabinet
- 2 Glazed panel
- 3 Wood trim
- 4 Panel step-down
- 5 Power and communication module
- 6 Panel hung open metal shelf



tayco.
work well.™

office furniture
in your comfort zone.
www.tayco.com



THE GREENGUARD INDOOR AIR QUALITY CERTIFIED MARK IS A REGISTERED CERTIFICATION MARK
USED UNDER LICENSE THROUGH THE GREENGUARD ENVIRONMENTAL INSTITUTE.

WORK WELL IS A TRADEMARK OF TAYCO PANELINK LTD. ALL RIGHTS RESERVED.
MAY 2010, REVISION 3, TPL-MKT-02-425
PRINTED IN CANADA